

[Home](#)

March 7, 2003

**BPMI.org**

## Business Process Pattern Examples

---

These patterns are the BPMN equivalents of the of Workflow Patterns research headed by Wil van der Aalst. The work can be found here:

<http://tmitwww.tn.tue.nl/research/patterns/>

[WP1: Sequence](#)

[WP2: Parallel Split](#)

[WP3: Synchronization](#)

[WP4: Exclusive Choice](#)

[WP5: Simple Merge](#)

[WP6: Multi-Choice](#)

[WP7: Multiple Merge](#)

[WP8: Discriminator](#)

[WP9: N out M Join](#)

[WP10: Synchronizing Merge](#)

[WP11: Arbitrary Cycles](#)

[WP12: Implicit Termination](#)

[WP13 to 16: Multiple Instances](#)

[WP17: Deferred Choice](#)

[WP18: Interleaved Routing](#)

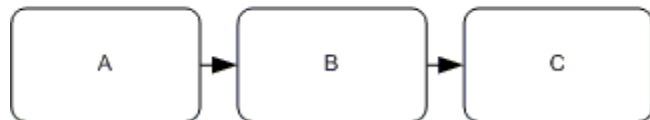
[WP19: Milestone](#)

[WP20: Cancel Activity](#)

[WP21: Cancel Case](#)

*Home*

**WP1: Sequence**

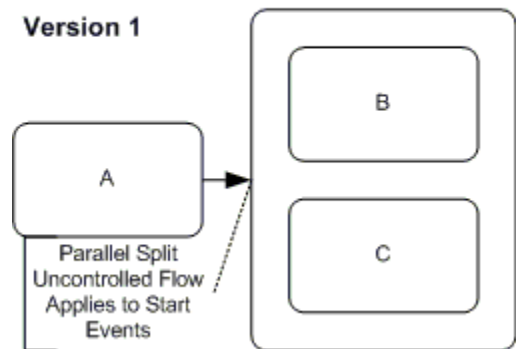


*Pattern Index*

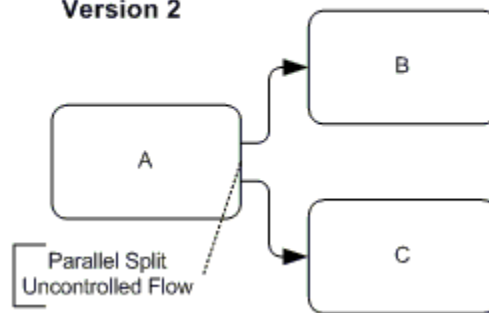
Home

**WP2: Parallel Split**

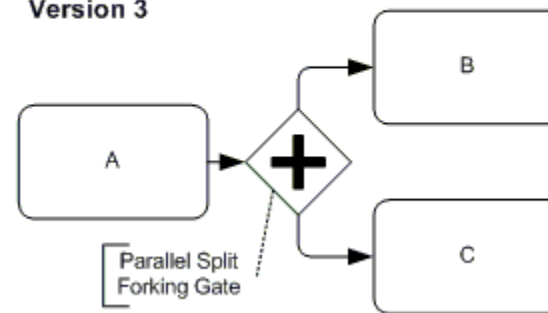
**Version 1**



**Version 2**



**Version 3**

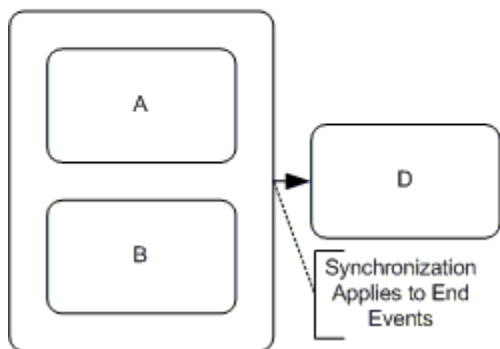


*Pattern Index*

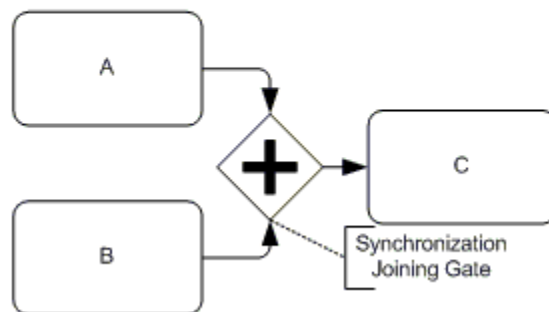
Home

### WP3: Synchronization

Version 1



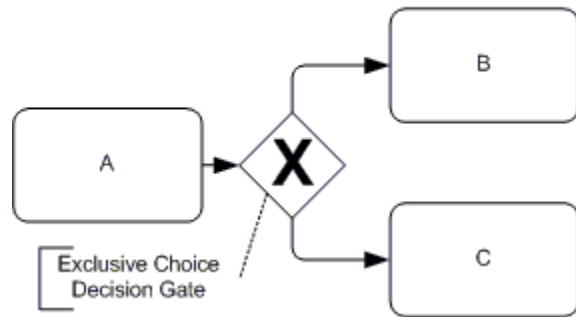
Version 2



*Pattern Index*

Home

### WP4: Exclusive Choice

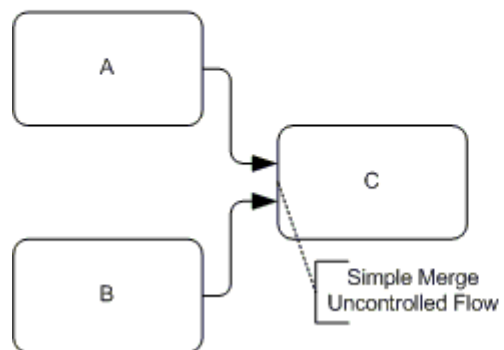


 Pattern Index

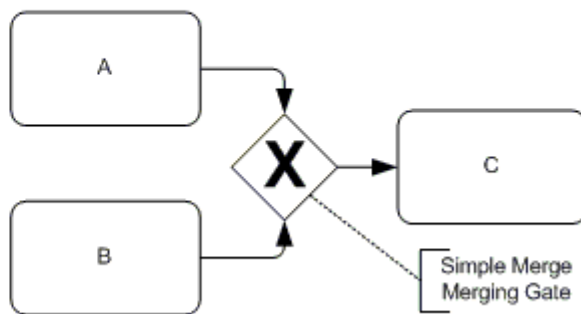
Home

### WP5: Simple Merge

Version 1



Version 2

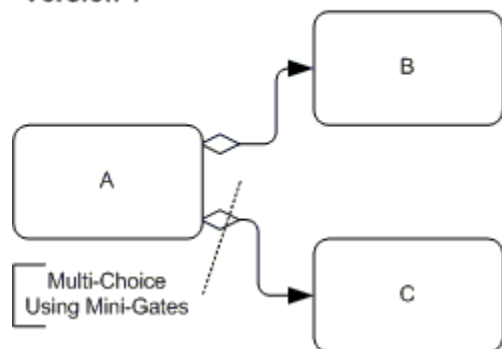


Pattern Index

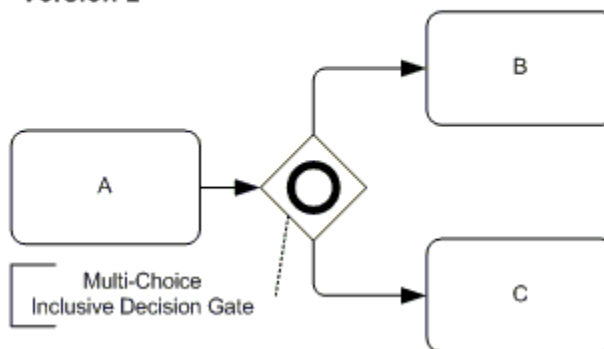
[Home](#)

## WP6: Multi-Choice

Version 1



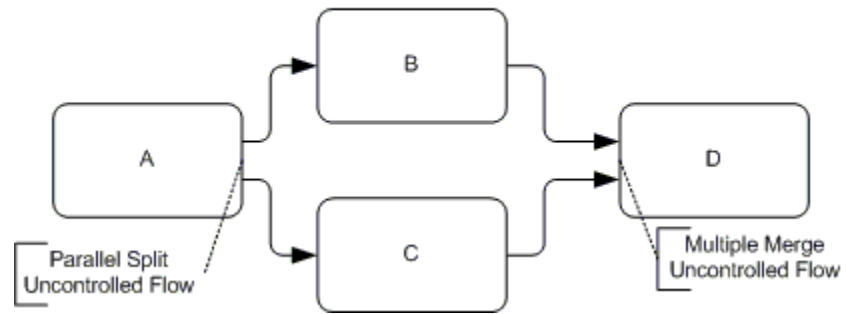
Version 2



[Pattern Index](#)

Home

### WP7: Multiple Merge

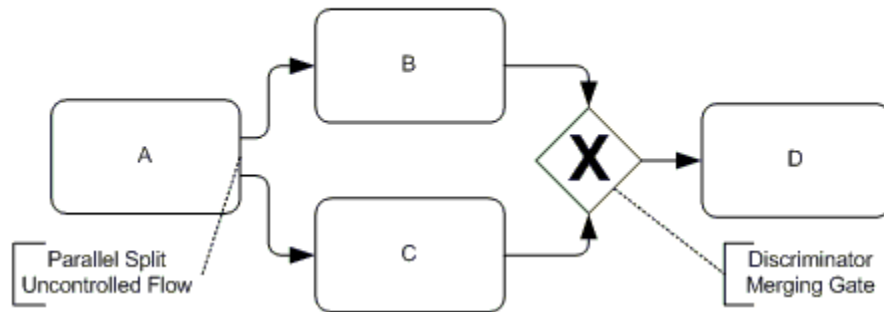


 Pattern Index



Home

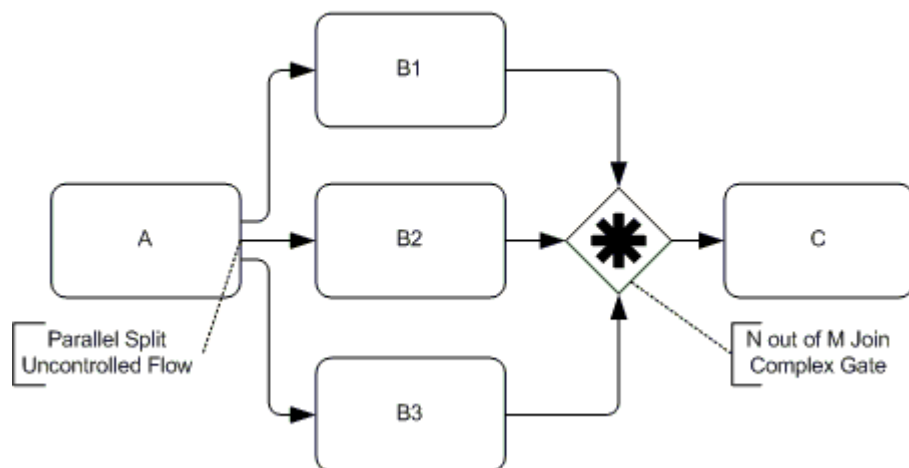
## WP8: Discriminator



 Pattern Index

Home

**WP9: N out M Join**

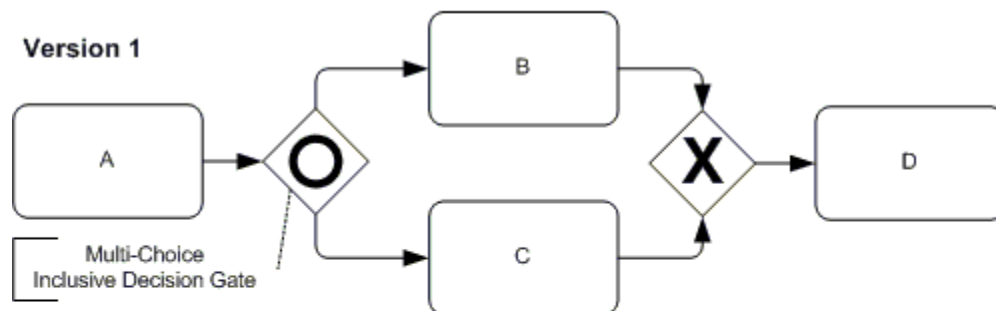


 Pattern Index

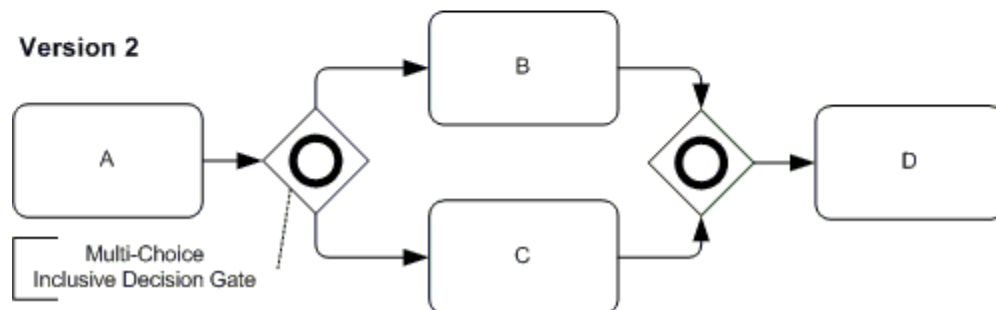
Home

### WP10: Synchronizing Merge

Version 1



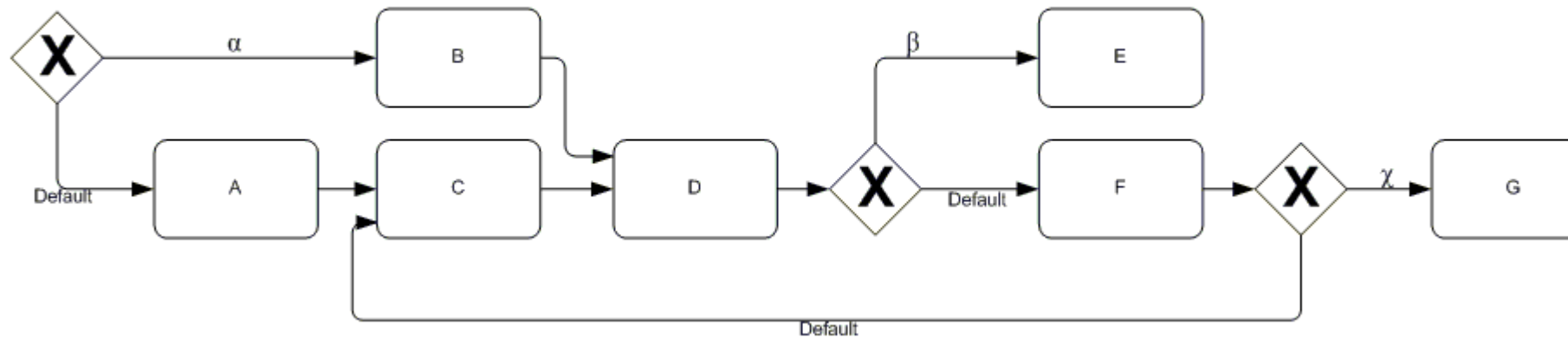
Version 2



 Pattern Index

*Home*

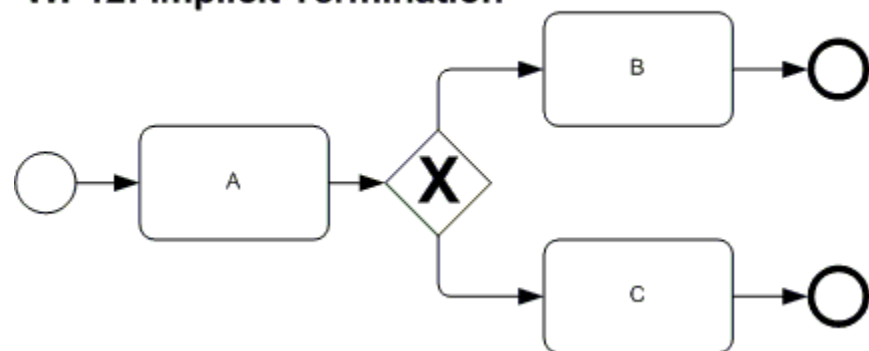
**WP11: Arbitrary Cycles**



 *Pattern Index*

Home

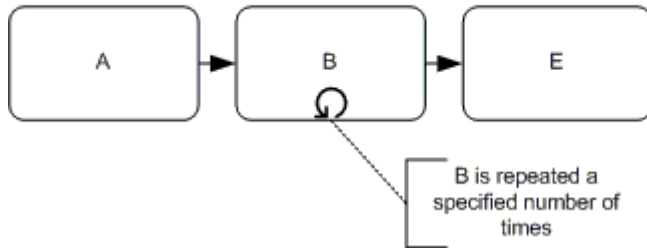
**WP12: Implicit Termination**



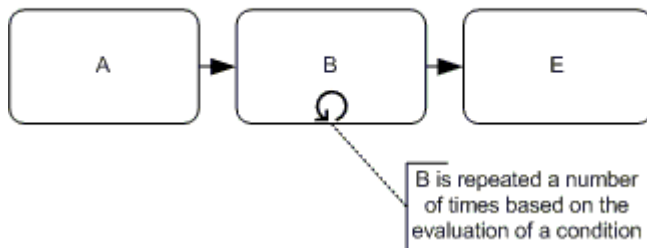
*Pattern Index*

Home

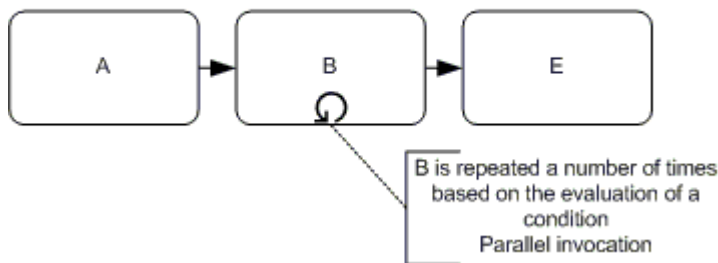
**WP13: MI with a priori Design Time Knowledge**



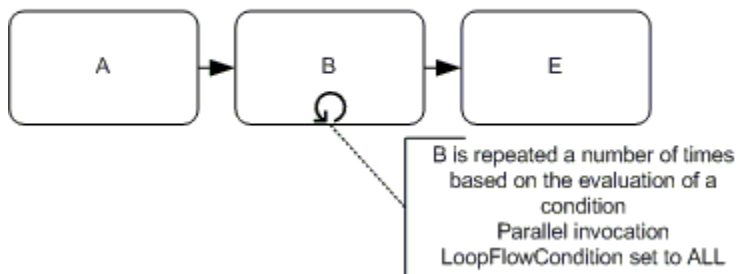
**WP14: MI with a priori Runtime Knowledge**



**WP15: MI with no a priori Knowledge**

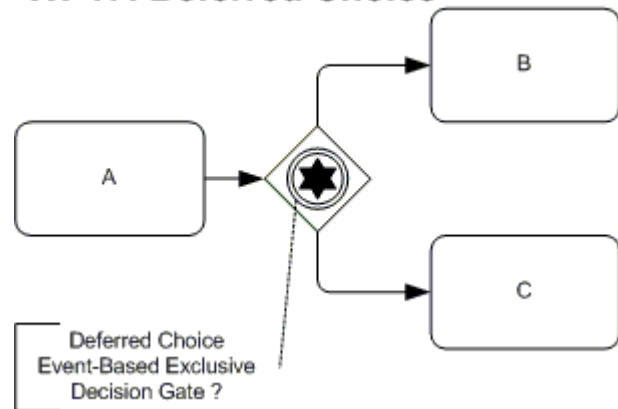


**WP16: MI requiring Synchronization**



[Home](#)

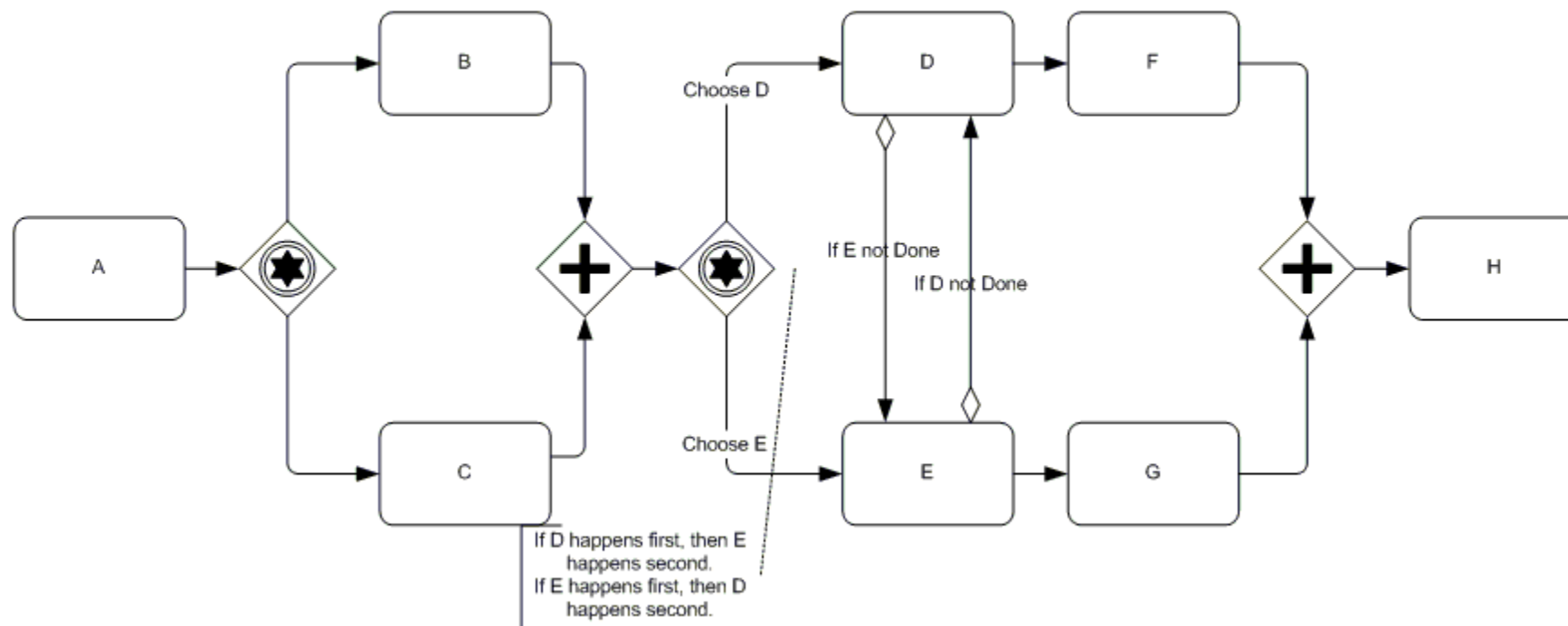
### WP17: Deferred Choice



 [Pattern Index](#)

[Home](#)

## WP18: Interleaved Routing

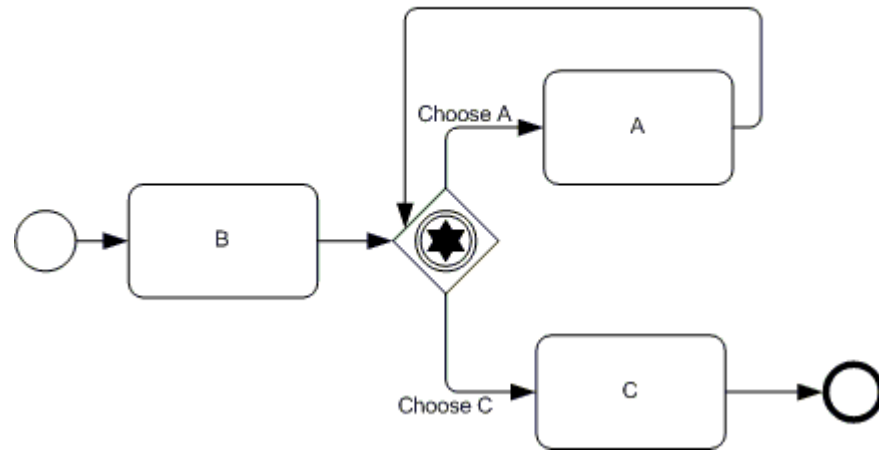


 *Pattern Index*



[Home](#)

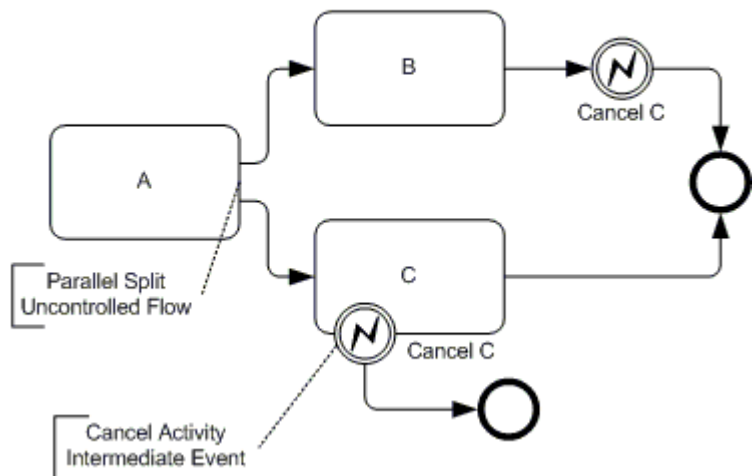
**WP19: Milestone**



 [Pattern Index](#)

[Home](#)

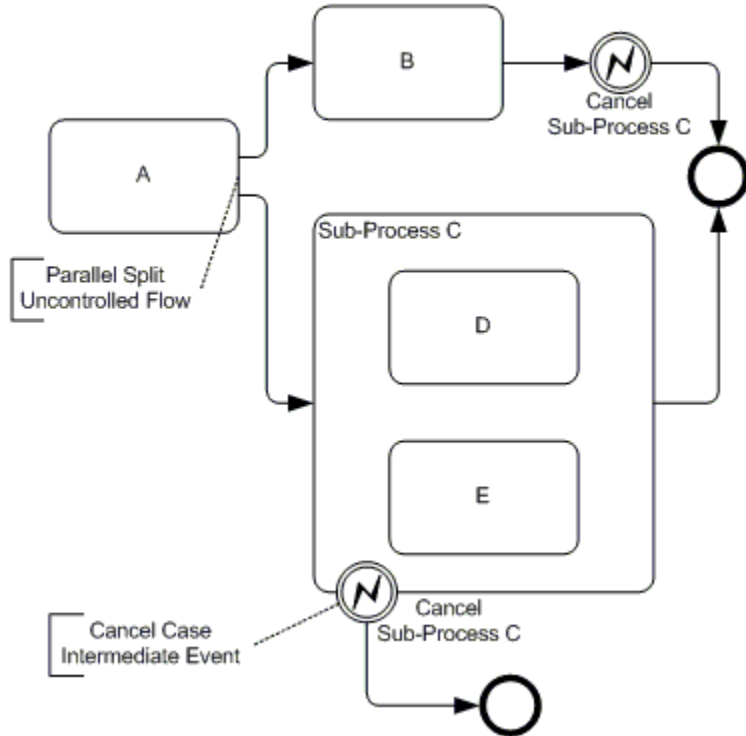
## WP20: Cancel Activity



 [Pattern Index](#)

Home

**WP21: Cancel Case**



 Pattern Index